





IRAYA

LXF RGB / MXF RGB

NEW

ISTANIUM®

IRAYA is a functional spotlight that balances technical performance, quality and price, allowing the intensive introduction of the most efficient LED technology when upgrading current technical lighting.

Light flux up to 30,000 lm.
Multiple lighting solutions.
Advanced thermal management.



Façades



Monuments



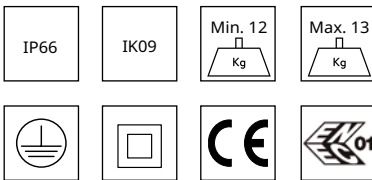
Bridges



IRAYA LXF RGB

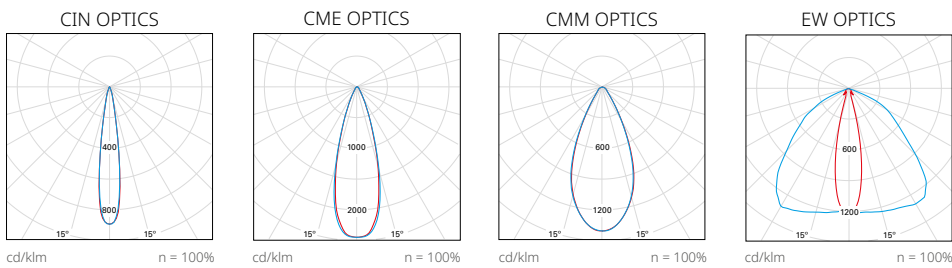
ISTANIUM^{LED}®

SPOTLIGHT LED LUMINAIRE



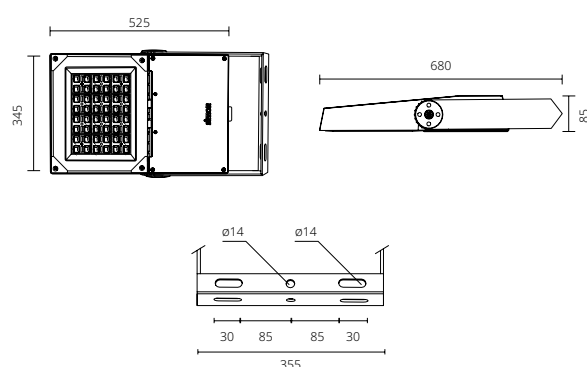
COLOUR TEMP.: RGB | R3W
 COLOUR RENDERING INDEX: >70 (for operation with white light only)
 UPWARD LIGHT OUTPUT RATIO (ULOR): <0.1 %
 LED DURATION (L90 B10 AT T_a=25 °C AND T_j=95 °C): 100,000 h

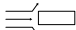
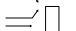
* The value may change depending on the optics.



Simon **IRAYA** LED spotlight, size L, made of die-cast aluminium. Bracket fastening. Flat cover with non-visible cooling fins in installed position. Self-cleaning system by means of rainwater, which allows its correct evacuation without dirtying the luminaire, preventing the lighting performance from being affected over time. Single body spotlight with two independent compartments for thermal separation, for the optical group and for the electric group. Access to gear and maintenance from the back with four-screw opening and a fastening system to prevent the lid from falling. Easy-clean transparent flat tempered glass diffuser to prevent UV radiation in the optics. **IP66** protection rating for the full spotlight, with a **pressure relief valve** to keep the pressure constant and prevent moisture from entering, and an impact resistance rating of **IK09**. With pre-wiring of 50 cm and IP67 connector. Possibility of mounting up to sixteen multi-array optics. Anti-glare, truncated pyramid-shaped reflector, matt with light flux recovery. Possibility of RGB and RGB plus white light. Service life of LED **L90 B10 100,000 hours**. Istantium LED lighting groups can be replaced and updated even when the luminaire is installed, thereby extending its service life. Numerous different lighting packages are offered, thanks to its modular LED system. Upward Light Output Ratio (**ULOR**) equal to **0%** with an angle from 0° to ± 5° (verify according to optics used). With **Class I** electronic control gear with 230 V AC/50-60 Hz power supply. Possibility of including additional protection against surges of **10 kV/10 kA**. Dimming with DMX 512-A and DALI for models RGB and RGB plus white light. Standard finish in Simon GY9007 colour. Possibility of Simon and RAL finishes, as well as Seafront paint for corrosive environments with high durability in a **CSM** environment. Dimensions 365x680x80 mm. **ENEC**certified spotlight.

DIMENSIONS AND FASTENING SYSTEMS



Fastening	Bracket, Ø14 mm, Ø14 mm, Ø14 mm fastening holes
Wire inlet	Compression seal fittings Pg 13.5 (m20)
Surface exposed to the wind	 0.027 m ²  0.181 m ²
Weight	Max. 13 kg Min. 12kg

PHYSICAL FEATURES AND MATERIALS

IP	IP66
IK	IK09
Body	Die-cast aluminium
Closure system	Stainless steel screws
Fastening system	Painted galvanised sheet steel
Diffuser	Flat transparent shatter-proof tempered glass

FINISHES

Body	Painted GY9007 colour (Standard Paint) Simon Colours (Standard Paint / Seafront Paint) RAL chart colours (Standard Paint / Seafront Paint)
------	--

REGULATIONS AND CERTIFICATES



Light group according to: EN 62031

Warranty	5 years for the light group (extended warranty upon request).
Supply and packaging	Pole and arms packed with foam reel protector and plate base with foam protector on edges
Maintenance	Keep the diffuser surface clean to achieve maximum light flux. Use a damp rag without any type of harsh product or detergent. Lubricate the sealing gaskets and replace them when they are cracked. Lubricate the closures and/or hinges of the moving parts. Keep the thermal radiation surface clean to not lose light flux without shortening the life of the LEDs.

* Depends on model ** Values corresponding to the current state of technology. *** The luminaire power can vary around ± 7% regarding those published according to environmental condition and/or the constant progress that technology undergoes.

ELECTRICAL PARAMETERS * AND CONNECTIVITY

Temp.	-20 °C... +35 °C
Dimming**	DALI Dimming through DALI input protocol DMX signal dimming with control line

Luminaires supplied by electrical grid

Supply voltage	220-240 Vac
Frequency	50/60 Hz
Protection against power surge	10 kV
Power factor (cos φ at max. charge)	≥ 0.95
Luminaire electrical protection	Class I
Power according to models***	80 LEDs
Supply current	
HIGH EFFICIENCY	-
HIGH BALANCE	-
HIGH FLUX	150 W
VERY HIGH FLUX	-



CONFIGURE YOUR IRAYA L RGB LUMINAIRE

Model	Diffuser	Wire	Optics	Colour Temp.	Optical group power	Team	Dimming	Protection	Finish	Description
IRALXF										Simon IRAYA Istanium® LED, Size L, bracket fastening, flat cover
	GTF									Flat transparent shatter-proof tempered glass diffuser
		P								With installation wiring (0.5 m) and IP67 watertight connector
			CIN							Reverse tapered optics
			CME							E type medium tapered optics
			CMM							M type medium tapered optics
			EW_							Wide elliptical optics
				RGB						RGB with DMX/DALI dimming
				R3W						RGB + Neutral daylight with DMX/DALI dimming
					150W__					150 W 80 LEDs
						IA23_				Electronic control gear at 230 V _{ac} 50/60 Hz, standard protection against 6 kV power surges
						IA23S				Electronic control gear at 230 V _{ac} 50/60 Hz, additional protection against 10 kV power surges
							DALI			Dimming through DALI input protocol
							DMX_			Dimming through DMX input protocol
								C1		Class 1 Luminaire electrical protection
									GY9007	Standard finish in Simon RAL GY9007
									xxxxxx	Finish in Simon colours
									xxxxxx	Finish in Simon RAL classic chart colours
									CMxxxx	Seafront Paint Finish

BASE REFERENCES

Power	No. of LEDs	Current	Configuration	Order code
150	80	-	IRALXFGTF_CMMR3W150W__IA23SDMX_C1GY9007	419-004007016

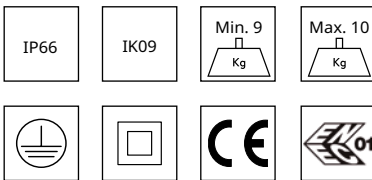
The luminaire flow output can vary around ± 6% regarding those published according to environmental condition and/or the constant progress that LED technology undergoes.
The luminaire power can vary around ± 7% regarding those published according to environmental condition and/or the constant progress that technology undergoes.



IRAYA MXF RGB

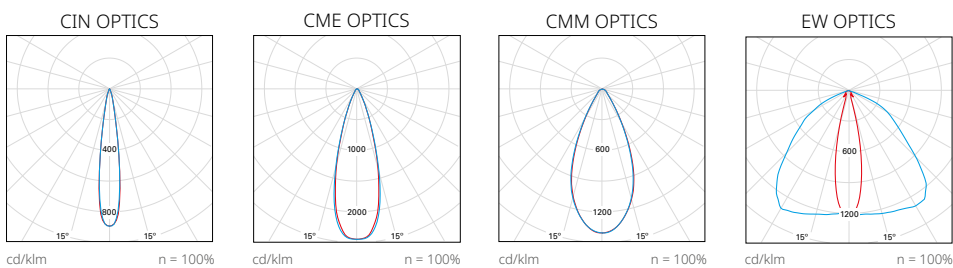
ISTANIUM^{LED}®

SPOTLIGHT LED LUMINAIRE



COLOUR TEMP.: RGB | R3W
 COLOUR RENDERING INDEX: >70 (for operation with white light only)
 UPWARD LIGHT OUTPUT RATIO (ULOR): <0.1%*
 LED DURATION (L90 B10 AT T_a=25 °C AND T_j=95 °C): 100,000 h

* The value may change depending on the optics.

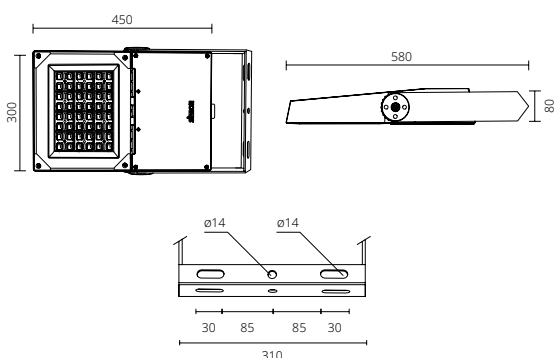


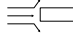

Simon **IRAYA** LED spotlight, size M, made of die-cast aluminium. Bracket fastening. Flat cover with non-visible cooling fins in installed position. Self-cleaning system by means of rainwater, which allows its correct evacuation without dirtying the luminaire, preventing the lighting performance from being affected over time. Single body spotlight with two independent compartments for thermal separation, for the optical group and for the electric group. Access to the gear and maintenance from the back with four-screw opening and a fastening system to prevent the lid from falling. Easy-clean transparent flat tempered glass diffuser to prevent UV radiation in the optics. **IP66** protection rating for the full spotlight, with a **pressure relief valve** to keep the pressure constant and prevent moisture from entering, and an impact resistance rating of **IK09**. With pre-wiring of 50 cm and IP67 connector. Possibility of mounting up to sixteen multi-array optics. Anti-glare, truncated pyramid-shaped reflector, matt with light flux recovery. Possibility of RGB and RGB plus white light. Service life of LED **L90 B10 100,000 hours**. Istantium LED lighting groups can be replaced and updated even when the luminaire is installed, thereby extending its service life. Numerous different lighting packages are offered, thanks to its modular LED system. Upward Light Output Ratio (**ULOR**) equal to **0%** with an angle from 0° to ± 5° (verify according to optics used).

With **Class I** electronic control gear with 230 V AC/50-60 Hz power supply. Possibility of including additional protection against surges of **10 kV/10 kA**. Dimming with DMX 512-A and DALI for models RGB and RGB plus white light.

Standard finish in Simon GY9007 colour. Possibility of Simon and RAL finishes, as well as Seafront paint for corrosive environments with high durability in a **C5M** environment. **ENEC** certified spotlight.

DIMENSIONS AND FASTENING SYSTEMS



Fastening	Bracket, Ø14 mm, Ø14 mm, Ø14 mm fastening holes
Wire inlet	Compression seal fittings Pg 13.5 (m20)
Surface exposed to the wind	 0.024 m ²
	 0.135 m ²
Weight	Max. 10 kg Min. 9 kg

PHYSICAL FEATURES AND MATERIALS

IP	IP66
IK	IK09
Body	Die-cast aluminium
Closure system	Stainless steel screws
Fastening system	Painted galvanised sheet steel
Diffuser	Flat transparent shatter-proof tempered glass

FINISHES

Body	Painted GY9007 colour (Standard Paint) Simon Colours (Standard Paint / Seafront Paint) RAL chart colours (Standard Paint / Seafront Paint)
------	--

REGULATIONS AND CERTIFICATES



Luminaire according to: EN 60598-2-5 / EN 62493 / EN 55015 / EN 61547 / EN 61000-3-2 / EN 50581

Warranty	5 years
Supply and packaging	Packed in recycled cardboard with an identifying label to protect the product during transport and storage.
Maintenance	Keep the diffuser surface clean to achieve maximum light flux. Use a damp rag without any type of harsh product or detergent. Lubricate the sealing gaskets and replace them when they are cracked. Lubricate the closures and/or hinges of the moving parts. Keep the thermal radiation surface clean to not lose light flux without shortening the life of the LEDs.

* Depends on model ** Values corresponding to the current state of technology. *** The luminaire power can vary around ± 7% regarding those published according to environmental condition and/or the constant progress that technology undergoes.

ELECTRICAL PARAMETERS * AND CONNECTIVITY

Temp.	-20 °C... +35 °C
Dimming**	DALI Dimming through DALI input protocol DMX signal dimming with control line
Luminaires supplied by electrical grid	
Supply voltage	220-240 V _{AC}
Frequency	50/60 Hz
Protection against power surge	6 kV (Possibility of increasing to 10 kV / 10 kA upon request)
Power factor (cos φ at max. charge)	≥ 0.95
Luminaire electrical protection	Class I
Power according to models***	48 LEDs
Supply current	
HIGH EFFICIENCY	-
HIGH BALANCE	-
HIGH FLUX	100 W
VERY HIGH FLUX	-



CONFIGURE YOUR IRAYA M RGB LUMINAIRE

Model	Diffuser	Wire	Optics	Colour Temp.	Optical group power	Team	Dimming	Protection	Finish	Description
IRAMXF										Simon IRAYA Istanium® LED, size M, bracket fastening, flat cover
	GTF									Flat transparent shatter-proof tempered glass diffuser
		P								With installation wiring (0.5 m) and IP67 watertight connector
			CIN							Reverse tapered optics
			CME							E type medium tapered optics
			CMM							M type medium tapered optics
			EW_							Wide elliptical optics
				RGB						RGB with DMX/DALI dimming
				R3W						RGB + Neutral daylight with DMX/DALI dimming
					100W__					100 W 48 LEDs
						IA23_				Electronic control gear at 230 V AC 50/60 Hz, standard protection against 6 kV power surges
						IA23S				Electronic control gear at 230 V AC 50/60 Hz, additional protection against 10 kV power surges
							DALI			Dimming through DALI input protocol
							DMX_			Dimming through DMX input protocol
								C1		Class 1 Luminaire electrical protection
									GY9007	Standard finish in Simon RAL GY9007
									xxxxxx	Finish in Simon colours
									xxxxxx	Finish in Simon RAL classic chart colours
									CMxxxx	Seafront Paint Finish

BASE REFERENCES

Power	No. of LEDs	Current	Configuration	Order code
100	80	-	IRAMXFGTF_CMMR3W100W__IA23SDMX_C1GY9007	417-004003016

The luminaire flow output can vary around ± 6% regarding those published according to environmental condition and/or the constant progress that LED technology undergoes.
The luminaire power can vary around ± 7% regarding those published according to environmental condition and/or the constant progress that technology undergoes.

