

SPOTLIGHT

IRAYA





# IRAYA

LXF / MXF

NEW

ISTANIUM®

IRAYA is a functional spotlight that balances technical performance, quality and price, allowing the intensive introduction of the most efficient LED technology when upgrading current technical lighting.

Light flux up to 30,000 lm.  
Multiple lighting solutions.  
Advanced thermal management.



Motorways /  
highways



Main roads



Streets



Avenues



Industrial spaces



Roundabouts  
/ Intersections



Tunnels



Bridges



Façades



Sports facilities

# IRAYA

## FEATURES



### LIGHT CONTROL

---

A wide variety of road lighting optical solutions for tunnels and architecture to optimise and precisely direct light flux, adapting it to the needs of the project.

### COMPATIBLE WITH "IoT" AND SMARTCITIES

---

Luminaire equipped for telemanagement and sensor management; option of installing a ZHAGA/NEMA connector on the top and a ZHAGA connector on the bottom. Double entry to the luminaire body with two compression seal fittings to facilitate control connections.

### MAINTENANCE OF LIGHT PERFORMANCE

---

Self-cleaning system using rain water. The water escapes without dirtying the luminaire and lighting performance is not affected over time.



## FASTENING SYSTEM

Angular bracket invisible in wall or ceiling installations.



Mechanical bracket interlocking system with a screw, with 5° steps, to maintain its orientation over time despite vibrations due to wind and rain. To facilitate correct orientation of the light flux, there is a goniometer with markings every 15°.

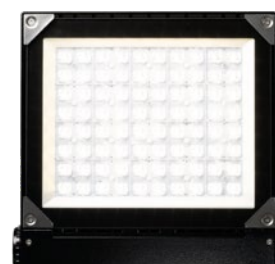


## OTHER TECHNICAL FEATURES

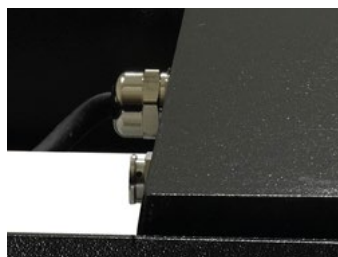
Refrigeration system with fins that cannot be seen from below, which increases LED performance at high supply currents.



Captive stainless steel screws to avoid corrosion and guarantee functionality over time.



**IP66** for the complete luminaire, with a **pressure relief valve** to keep the pressure constant and prevent moisture entry. **IK09** to guarantee the integrity of the luminaire against vandalism.

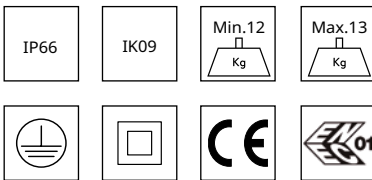




# IRAYA LXF

ISTANIUM<sup>LED</sup>®

## SPOTLIGHT LED LUMINAIRE



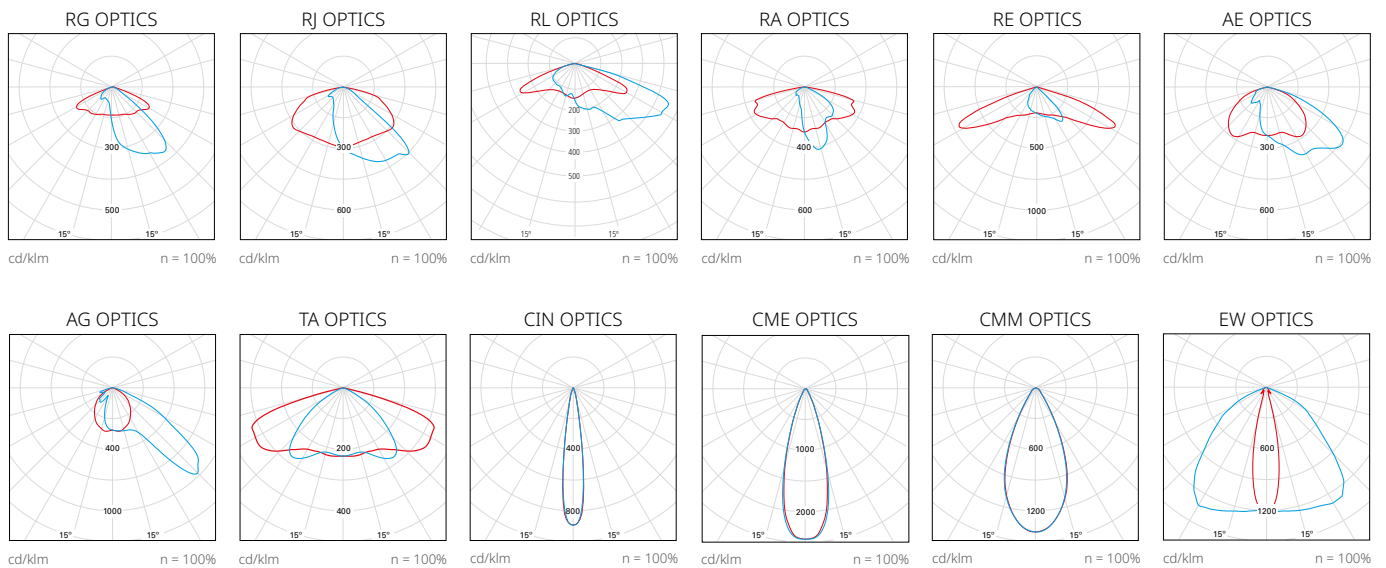
COLOUR TEMP: NDL 4000 K | WDL 3000 K | SDL 2700 K | XDL 2200 K | PCA\*

COLOUR RENDERING INDEX: >70

UPWARD LIGHT OUTPUT RATIO (ULOR): <0.1 %\*\*

LED DURATION (L90 B10 AT  $T_a=25$  °C AND  $T_j=95$  °C): 100,000 h

\* Upon request \*\* The value may change depending on the optics.



— C0 - C180 — C90 - C270

Rear hemisphere flux control visors available for RJ, RJ, RE, AE, AG and TA optics (see page 488 for more information).

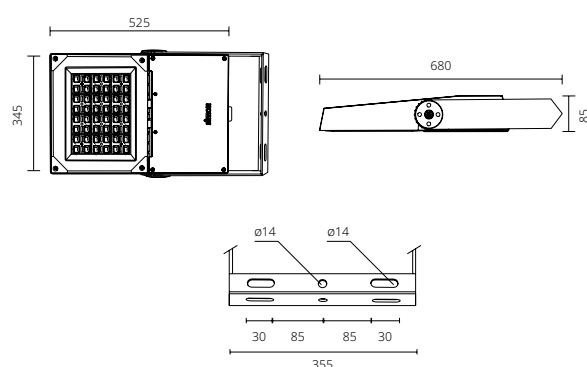
Check other photometric distributions.

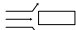
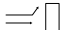
Simon **IRAYA** LED spotlight, size L, made of die-cast aluminium. Bracket fastening. Flat cover with non-visible cooling fins in installed position. Self-cleaning system by means of rainwater, which allows its correct evacuation without dirtying the luminaire, preventing the lighting performance from being affected over time. Single body spotlight with two independent compartments for thermal separation, for the optical group and for the electric group. Possibility of fitting an **upper Zhaga/NEMA** connector and a **lower Zhaga** connector. Access to the gear and maintenance from the back with four-screw opening and a fastening system to prevent the lid from falling. Easy-clean transparent flat tempered glass diffuser to prevent UV radiation in the optics. **IP66** protection rating for the full spotlight, with a **pressure relief valve** to keep the pressure constant and prevent moisture from entering, and an impact resistance rating of **IK09**. With pre-wiring of 50 cm and IP67 connector. Possibility of mounting up to sixteen multi-array optics. Anti-glare, truncated pyramid-shaped reflector, matt with light flux recovery.

Possibility of four colour temperatures in white light, as well as PCA (Phosphor Converted Amber) for specially protected areas.

Service life of LED **L90 B10 100,000 hours**. Istantium LED lighting groups can be replaced and updated even when the luminaire is installed, thereby extending its service life. Numerous different lighting packages are offered, thanks to its modular LED system. Upward Light Output Ratio (**ULOR**) equal to **0%** with an angle from 0° to ± 5° (verify according to optics used). With **Class I** and **Class II** electronic control gear with 230 V AC/50-60 Hz supply voltage. Possibility of including additional protection against surges of **10 kV/10 kA**. Optional dimming with control line 2N+, without control line (Self-dimming) 2N-, by means of a flow dimmer from CAD cabinet amplitude dimming, for telemanagement with 1.10V or DALI input. Optional custom programming and maintenance of constant light output (**CLO**). Standard finish in Simon GY9007 colour. Possibility of Simon and RAL finishes, as well as Seafront paint for corrosive environments with high durability in a **C5M** environment. Dimensions 365x680x80 mm. **ENEC** certified luminaire compatible with **Zhaga-D4i**.

## DIMENSIONS AND FASTENING SYSTEMS



|                             |  |
|-----------------------------|--|
| Fastening                   | Bracket, Ø14 mm, Ø14 mm, Ø14 mm fastening holes  |
| Wire inlet                  | Compression seal fittings Pg 13.5 (m20)  |
| Surface exposed to the wind |  0.027 m <sup>2</sup><br> 0.181 m <sup>2</sup> |
| Weight                      | Max. 13 kg Min. 12kg   |

## PHYSICAL FEATURES AND MATERIALS

|                  |   |
|------------------|---|
| IP               | IP66  |
| IK               | IK09  |
| Body             | Die-cast aluminium                            |
| Closure system   | Stainless steel screws                        |
| Fastening system | Painted galvanised sheet steel                |
| Diffuser         | Flat transparent shatter-proof tempered glass |

## FINISHES

|      |  |
|------|--|
| Body | Painted GY9007 colour (Standard Paint)<br>Simon Colours (Standard Paint / Seafront Paint)<br>RAL chart colours (Standard Paint / Seafront Paint) |
|------|--|

## REGULATIONS AND CERTIFICATES



Luminaire according to: EN 60598-2-5 / EN 62493 / EN 55015 / EN 61547 / EN 61000-3-2 / EN 50581

|                      |   |
|----------------------|---|
| Warranty             | 5 years.  |
| Supply and packaging | Pole and arms packed with foam reel protector and plate base with foam protector on edges |

|             |  |
|-------------|--|
| Maintenance | Keep the diffuser surface clean to achieve maximum light flux. Use a damp rag without any type of harsh product or detergent. Lubricate the sealing gaskets and replace them when they are cracked. Lubricate the closures and/or hinges of the moving parts. Keep the thermal radiation surface clean to not lose light flux without shortening the life of the LEDs. |
|-------------|--|

\* Values corresponding to the current state of technology. \*\* The luminaire power can vary around ± 7% regarding those published according to environmental condition and/or the constant progress that technology undergoes.

## ELECTRICAL PARAMETERS \* AND CONNECTIVITY

|         |   |
|---------|---|
| Temp.   | -20 °C... +35 °C  |
| Dimming | <b>2N-</b> Without control line<br><b>Dxxx</b> Without custom programmed control line<br><b>2N+</b> With control line<br><b>CAD</b> Cabinet amplitude dimming<br><b>1N (100%)</b> Without dimming<br><b>1.10V</b> Dimming through 1.10V input protocol<br><b>DALI</b> Dimming through DALI input protocol |

Possibility of activating the **CLO** function, which allows the depreciation of the light emitted by the LEDs to be compensated by gradually increasing the supply current to them.

Possibility of fitting a **Zhaga / NEMA** connector on the top of the luminaire and a **Zhaga** connector on the bottom of the luminaire according to Zhaga Consortium Book 18.

### Luminaires supplied by electrical grid

|                                     |                     |
|-------------------------------------|---------------------|
| Supply voltage                      | 220-240 VAC         |
| Frequency                           | 50/60 Hz            |
| Protection against power surge      | 10 kV / 10 kA       |
| Power factor (cos φ at max. charge) | ≥ 0.95              |
| Luminaire electrical protection     | Class I or Class II |
| Power according to models**         | 80 LEDs             |
| Supply current                      |                     |
| HIGH EFFICIENCY                     | 78 W                |
| HIGH BALANCE                        | 121 W               |
| HIGH FLUX                           | 161 W               |
| VERY HIGH FLUX                      | 212 W               |



## CONFIGURE YOUR IRAYA L LUMINAIRE

| Model         | Diffuser   | Wire       | Optics                           | Colour Temp. | Optical group power | Team         | Dimming | Protection | Finish                       | Description   |
|---------------|------------|------------|----------------------------------|--------------|---------------------|--------------|---------|------------|------------------------------|---|
| <b>IRALXF</b> |            |            |                                  |              |                     |              |         |            |                              | Simon IRAYA Istanium® LED, Size L, bracket fastening, flat cover  |
|               | <b>GTF</b> |            |                                  |              |                     |              |         |            |                              | Flat transparent shatter-proof tempered glass diffuser  |
|               |            | <b>P</b>   |                                  |              |                     |              |         |            |                              | With installation wiring (0,5 m) and IP67 watertight connector  |
|               |            |            | <b>RG_</b>                       |              |                     |              |         |            |                              | G type front road light optics  |
|               |            |            | <b>RJ_</b>                       |              |                     |              |         |            |                              | J type front road light optics  |
|               |            |            | <b>RL_</b>                       |              |                     |              |         |            |                              | L type front road light optics  |
|               |            |            | <b>RA_</b>                       |              |                     |              |         |            |                              | A type extended road light optics   |
|               |            |            | <b>RE_</b>                       |              |                     |              |         |            |                              | E type extended road light optics   |
|               |            |            | <b>AE_</b>                       |              |                     |              |         |            |                              | E type asymmetric optics  |
|               |            |            | <b>AG_</b>                       |              |                     |              |         |            |                              | G Type Asymmetric Optics  |
|               |            |            | <b>TA_</b>                       |              |                     |              |         |            |                              | Overhead tunnel optics  |
|               |            |            | <b>CIN</b>                       |              |                     |              |         |            |                              | Reverse tapered optics  |
|               |            |            | <b>CME</b>                       |              |                     |              |         |            |                              | E type medium tapered optics  |
|               |            | <b>CMM</b> |                                  |              |                     |              |         |            | M type medium tapered optics |   |
|               |            | <b>EW_</b> |                                  |              |                     |              |         |            | Wide elliptical optics       |   |
|               |            |            | <input type="radio"/> <b>NDL</b> |              |                     |              |         |            |                              | Neutral daylight - 4,000 K  |
|               |            |            | <input type="radio"/> <b>WDL</b> |              |                     |              |         |            |                              | Warm daylight – 3,000 K   |
|               |            |            | <input type="radio"/> <b>SDL</b> |              |                     |              |         |            |                              | Soft daylight - 2,700 K   |
|               |            |            | <input type="radio"/> <b>XDL</b> |              |                     |              |         |            |                              | Extra warm daylight – 2,200 K   |
|               |            |            |                                  |              | <b>121W530</b>      |              |         |            |                              | 121 W 530 mA      17,810 lm to 3,000 K      80 LEDs   |
|               |            |            |                                  |              | <b>161W700</b>      |              |         |            |                              | 161 W 700 mA      22,340 lm to 3,000 K      80 LEDs   |
|               |            |            |                                  |              | <b>212W900</b>      |              |         |            |                              | 212 W 900 mA      27,040 lm to 3,000 K      80 LEDs   |
|               |            |            |                                  |              |                     | <b>IA23_</b> |         |            |                              | Electronic control gear at 230 V <sub>AC</sub> 50/60 Hz, standard protection against 6 kV power surges    |
|               |            |            |                                  |              |                     | <b>IA23S</b> |         |            |                              | Electronic control gear at 230 V <sub>AC</sub> 50/60 Hz, additional protection against 10 kV power surges |
|               |            |            |                                  |              |                     | <b>2N_</b>   |         |            |                              | Dimming without control line (self-dimming)   |
|               |            |            |                                  |              |                     | <b>2N+</b>   |         |            |                              | Dimming with control line   |
|               |            |            |                                  |              |                     | <b>1N_</b>   |         |            |                              | Without dimming (on/off)  |
|               |            |            |                                  |              |                     | <b>CAD_</b>  |         |            |                              | Cabinet amplitude dimming (electrical box dimmer)   |
|               |            |            |                                  |              |                     | <b>1-10</b>  |         |            |                              | Dimming through 1-10V input protocol  |
|               |            |            |                                  |              |                     | <b>DALI</b>  |         |            |                              | Dimming through DALI input protocol   |
|               |            |            |                                  |              |                     | <b>DXXX</b>  |         |            |                              | Dimming without control line (custom program)   |
|               |            |            |                                  |              |                     |              |         | <b>C1</b>  |                              | Class I luminaire electrical protection   |
|               |            |            |                                  |              |                     |              |         | <b>C2</b>  |                              | Class II luminaire electrical protection  |
|               |            |            |                                  |              |                     |              |         |            | <b>GY9007</b>                | Standard finish in Simon RAL GY9007   |
|               |            |            |                                  |              |                     |              |         |            | <b>xxxxxx</b>                | Finish in Simon colours   |
|               |            |            |                                  |              |                     |              |         |            | <b>xxxxxx</b>                | Finish in Simon RAL classic chart colours   |
|               |            |            |                                  |              |                     |              |         |            | <b>CMxxxx</b>                | Seafront Paint Finish   |

### BASE REFERENCES

| Power | No. of LEDs | Current | Configuration                            | Order code           |
|-------|-------------|---------|--|----------------------|
| 121   | 80          | 530     | IRALXFGTFPRJ_WDL121W530IA23_1N__C1GY9007 | <b>419-005994016</b> |
| 161   | 80          | 700     | IRALXFGTFPRJ_WDL161W700IA23_1N__C1GY9007 | <b>419-005995016</b> |
| 212   | 80          | 900     | IRALXFGTFPRJ_WDL212W900IA23_1N__C1GY9007 | <b>419-005996016</b> |

The luminaire flow output can vary around ± 6% regarding those published according to environmental condition and/or the constant progress that LED technology undergoes.  
The luminaire power can vary around ± 7% regarding those published according to environmental condition and/or the constant progress that technology undergoes.



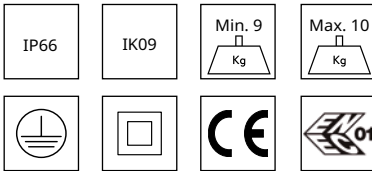




# IRAYA MXF

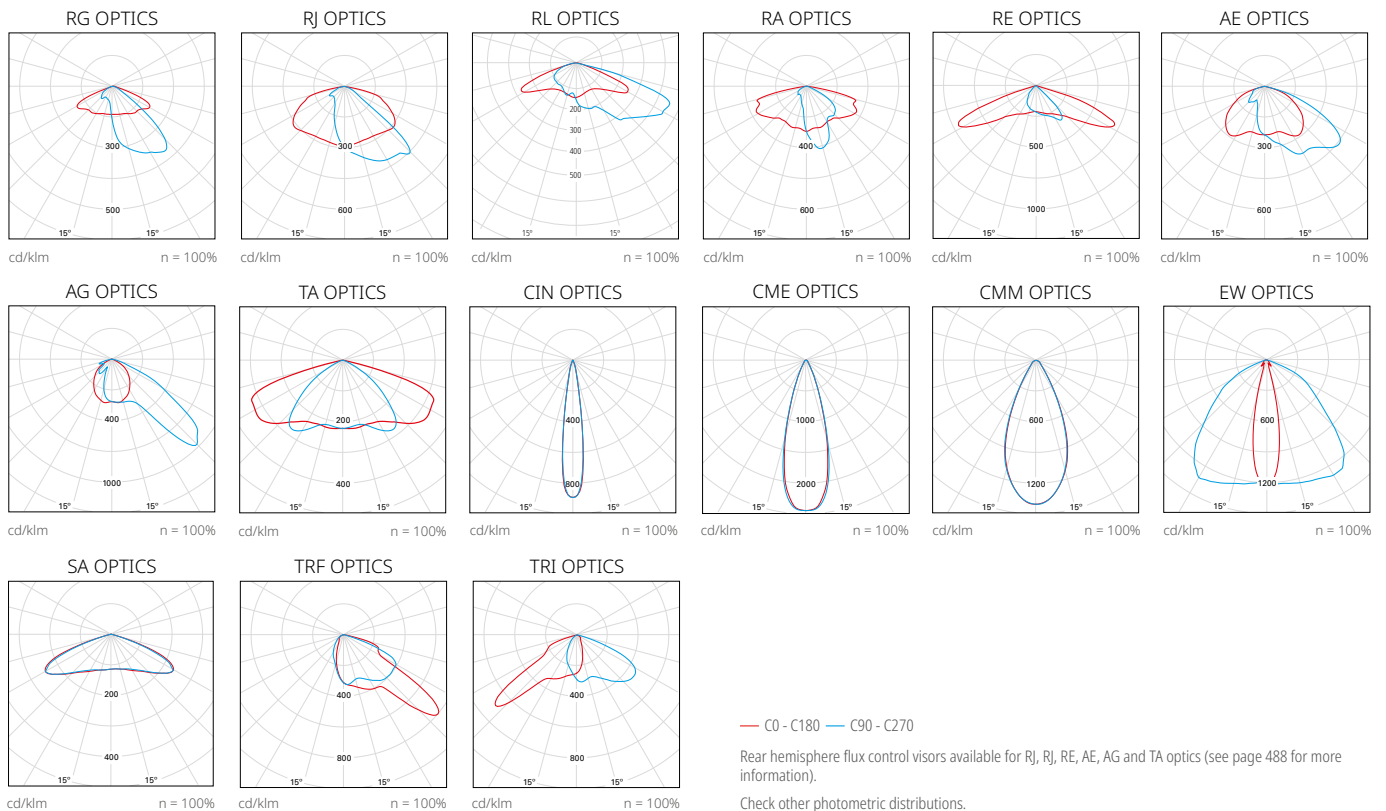
## ISTANIUM<sup>®</sup>

### SPOTLIGHT LED LUMINAIRE



COLOUR TEMP.: ND L 4000 K | WDL 3000 K | SDL 2700 K | XDL 2200 K | PCA\*  
 COLOUR RENDERING INDEX: >70  
 UPWARD LIGHT OUTPUT RATIO (ULOR): <0.1 %\*\*  
 LED DURATION (L90 B10 AT T<sub>a</sub>=25 °C AND T<sub>j</sub>=95 °C): 100,000 h

\* Upon request \*\* The value may change depending on the optics.

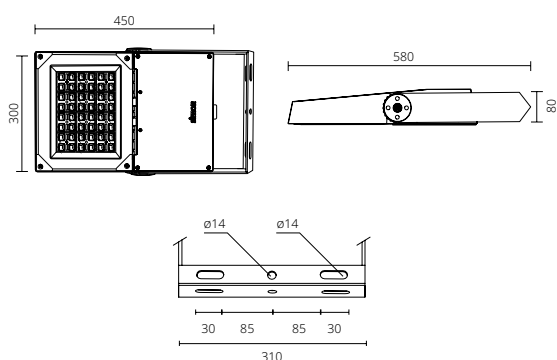




Simon **IRAYA** LED spotlight, size M, made of die-cast aluminium. Bracket fastening. Flat cover with non-visible cooling fins in installed position. Self-cleaning system by means of rainwater, which allows its correct evacuation without dirtying the luminaire, preventing the lighting performance from being affected over time. Single body spotlight with two independent compartments for thermal separation, for the optical group and for the electric group. Possibility of fitting an **upper Zhaga/NEMA** connector and a **lower Zhaga** connector. Access to the gear and maintenance from the back with four-screw opening and a fastening system to prevent the lid from falling. Easy-clean transparent flat tempered glass diffuser to prevent UV radiation in the optics. **IP66** protection rating for the full spotlight, with a **pressure relief valve** to keep the pressure constant and prevent moisture from entering, and an impact resistance rating of **IK09**. With pre-wiring of 50 cm and IP67 connector. Possibility of mounting up to sixteen multi-array optics. Anti-glare, truncated pyramid-shaped reflector, matt with light flux recovery.

Possibility of four colour temperatures in white light, as well as PCA (Phosphor Converted Amber) for specially protected areas.

Service life of LED **L90 B10 100,000 hours**. Istantium LED lighting groups can be replaced and updated even when the luminaire is installed, thereby extending its service life. Numerous different lighting packages are offered, thanks to its modular LED system. Upward Light Output Ratio (**ULOR**) equal to **0%** with an angle from 0° to ± 5° (verify according to optics used). With **Class I** and **Class II** electronic control gear with 230 V AC/50-60 Hz supply voltage. Possibility of including additional protection against surges of **10 kV/10 kA**. Optional dimming with control line 2N+, without control line (Self-dimming) 2N-, by means of a flow dimmer from CAD cabinet amplitude dimming, for telemanagement with 1.10V or DALI input. Optional custom programming and maintenance of constant light output (**CLO**). Standard finish in Simon GY9007 colour. Possibility of Simon and RAL finishes, as well as Seafront paint for corrosive environments with high durability in a C5M environment. Dimensions 320x582x80 mm. **ENEC** certified luminaire compatible with **Zhaga-D4i**.

## DIMENSIONS AND FASTENING SYSTEMS



|                             |  |
|-----------------------------|--|
| Fastening                   | Bracket, Ø14 mm, Ø14 mm, Ø14 mm fastening holes  |
| Wire inlet                  | Compression seal fittings Pg 13.5 (m20)  |
| Surface exposed to the wind |  0.024 m <sup>2</sup><br> 0.135 m <sup>2</sup> |
| Weight                      | Max. 10 kg Min. 9 kg   |

## PHYSICAL FEATURES AND MATERIALS

|                  |   |
|------------------|---|
| IP               | IP66  |
| IK               | IK09  |
| Body             | Die-cast aluminium                            |
| Closure system   | Stainless steel screws                        |
| Fastening system | Painted galvanised sheet steel                |
| Diffuser         | Flat transparent shatter-proof tempered glass |

## FINISHES

|      |  |
|------|--|
| Body | Painted GY9007 colour (Standard Paint)<br>Simon Colours (Standard Paint / Seafront Paint)<br>RAL chart colours (Standard Paint / Seafront Paint) |
|------|--|

## ELECTRICAL PARAMETERS \* AND CONNECTIVITY

|         |   |
|---------|---|
| Temp.   | -20 °C... +35 °C  |
| Dimming | <b>2N-</b> Without control line<br><b>Dxxx</b> Without custom programmed control line<br><b>2N+</b> With control line<br><b>CAD</b> Cabinet amplitude dimming<br><b>1N (100%)</b> Without dimming<br><b>1.10V</b> Dimming through 1.10V input protocol<br><b>DALI</b> Dimming through DALI input protocol |

Possibility of activating the **CLO** function, which allows the depreciation of the light emitted by the LEDs to be compensated by gradually increasing the supply current to them.

Possibility of fitting a **Zhaga / NEMA** connector on the top of the luminaire and a **Zhaga** connector on the bottom of the luminaire according to Zhaga Consortium Book 18.

### Luminaires supplied by electrical grid

|                                     |  |
|-------------------------------------|--|
| Supply voltage                      | 220-240 V <sub>ac</sub>  |
| Frequency                           | 50/60 Hz   |
| Protection against power surge      | 6 kV (Possibility of increasing to 10 kV / 10 kA upon request) |
| Power factor (cos φ at max. charge) | ≥ 0.95   |
| Luminaire electrical protection     | Class I or Class II  |
| Power according to models**         | 48 LEDs  |
| Supply current                      |  |
| HIGH EFFICIENCY                     | 47 W   |
| HIGH BALANCE                        | 73 W   |
| HIGH FLUX                           | 97 W   |
| VERY HIGH FLUX                      | 150 W  |

## REGULATIONS AND CERTIFICATES



Luminaire according to: EN 60598-2-5 / EN 62493 / EN 55015 / EN 61547 / EN 61000-3-2 / EN 50581

|                      |  |
|----------------------|--|
| Warranty             | 5 years  |
| Supply and packaging | Packed in recycled cardboard with an identifying label to protect the product during transport and storage.  |
| Maintenance          | Keep the diffuser surface clean to achieve maximum light flux. Use a damp rag without any type of harsh product or detergent. Lubricate the sealing gaskets and replace them when they are cracked. Lubricate the closures and/or hinges of the moving parts. Keep the thermal radiation surface clean to not lose light flux without shortening the life of the LEDs. |

\* Values corresponding to the current state of technology. \*\* The luminaire power can vary around ± 7% regarding those published according to environmental condition and/or the constant progress that technology undergoes.



## CONFIGURE YOUR IRAYA M LUMINAIRE

| Model         | Diffuser   | Wire     | Optics     | Colour Temp.                     | Optical group power | Team         | Dimming   | Protection    | Finish | Description   |
|---------------|------------|----------|------------|----------------------------------|---------------------|--------------|-----------|---------------|--------|---|
| <b>IRAMXF</b> |            |          |            |                                  |                     |              |           |               |        | Simon IRAYA Istanium® LED, size M, bracket fastening, flat cover  |
|               | <b>GTF</b> |          |            |                                  |                     |              |           |               |        | Flat transparent shatter-proof tempered glass diffuser  |
|               |            | <b>P</b> |            |                                  |                     |              |           |               |        | With installation wiring (0.5 m) and IP67 watertight connector  |
|               |            |          | <b>RG_</b> |                                  |                     |              |           |               |        | G type front road light optics  |
|               |            |          | <b>RJ_</b> |                                  |                     |              |           |               |        | J type front road light optics  |
|               |            |          | <b>RL_</b> |                                  |                     |              |           |               |        | L type front road light optics  |
|               |            |          | <b>RA_</b> |                                  |                     |              |           |               |        | A type extended road light optics   |
|               |            |          | <b>RE_</b> |                                  |                     |              |           |               |        | E type extended road light optics   |
|               |            |          | <b>AE_</b> |                                  |                     |              |           |               |        | E type asymmetric optics  |
|               |            |          | <b>AG_</b> |                                  |                     |              |           |               |        | G Type Asymmetric Optics  |
|               |            |          | <b>SA_</b> |                                  |                     |              |           |               |        | A Type Symmetric Optics   |
|               |            |          | <b>TRF</b> |                                  |                     |              |           |               |        | Traffic optics  |
|               |            |          | <b>TRI</b> |                                  |                     |              |           |               |        | Reverse traffic optics  |
|               |            |          | <b>TA_</b> |                                  |                     |              |           |               |        | Overhead tunnel optics  |
|               |            |          | <b>CIN</b> |                                  |                     |              |           |               |        | Reverse tapered optics  |
|               |            |          | <b>CME</b> |                                  |                     |              |           |               |        | E type medium tapered optics  |
|               |            |          | <b>CMM</b> |                                  |                     |              |           |               |        | M type medium tapered optics  |
|               |            |          | <b>EW_</b> |                                  |                     |              |           |               |        | Wide elliptical optics  |
|               |            |          |            | <input type="radio"/> <b>NDL</b> |                     |              |           |               |        | Neutral daylight - 4,000 K  |
|               |            |          |            | <input type="radio"/> <b>WDL</b> |                     |              |           |               |        | Warm daylight – 3,000 K   |
|               |            |          |            | <input type="radio"/> <b>SDL</b> |                     |              |           |               |        | Soft daylight - 2,700 K   |
|               |            |          |            | <input type="radio"/> <b>XDL</b> |                     |              |           |               |        | Extra warm daylight – 2,200 K   |
|               |            |          |            |                                  | <b>_73W530</b>      |              |           |               |        | 73 W 530 mA      10,600 lm to 3000 K      48 LEDs   |
|               |            |          |            |                                  | <b>_97W700</b>      |              |           |               |        | 97 W 700 mA      13,270 lm to 3000 K      48 LEDs   |
|               |            |          |            |                                  | <b>150W_1K</b>      |              |           |               |        | 150 W 1050 mA      17,860 lm to 3000 K      48 LEDs   |
|               |            |          |            |                                  |                     | <b>IA23_</b> |           |               |        | Electronic control gear at 230 V <sub>ac</sub> 50/60 Hz, standard protection against 6 kV power surges    |
|               |            |          |            |                                  |                     | <b>IA23S</b> |           |               |        | Electronic control gear at 230 V <sub>ac</sub> 50/60 Hz, additional protection against 10 kV power surges |
|               |            |          |            |                                  |                     | <b>2N_</b>   |           |               |        | Dimming without control line (self-dimming)   |
|               |            |          |            |                                  |                     | <b>2N+_</b>  |           |               |        | Dimming with control line   |
|               |            |          |            |                                  |                     | <b>1N_</b>   |           |               |        | Without dimming (on/off)  |
|               |            |          |            |                                  |                     | <b>CAD_</b>  |           |               |        | Cabinet amplitude dimming (electrical box dimmer)   |
|               |            |          |            |                                  |                     | <b>1-10</b>  |           |               |        | Dimming through 1-10V input protocol  |
|               |            |          |            |                                  |                     | <b>DALI</b>  |           |               |        | Dimming through DALI input protocol   |
|               |            |          |            |                                  |                     | <b>DXXX</b>  |           |               |        | Dimming without control line (custom program)   |
|               |            |          |            |                                  |                     |              | <b>C1</b> |               |        | Class I luminaire electrical protection   |
|               |            |          |            |                                  |                     |              | <b>C2</b> |               |        | Class II luminaire electrical protection  |
|               |            |          |            |                                  |                     |              |           | <b>GY9007</b> |        | Standard finish in Simon RAL GY9007   |
|               |            |          |            |                                  |                     |              |           | <b>xxxxxx</b> |        | Finish in Simon colours   |
|               |            |          |            |                                  |                     |              |           | <b>xxxxxx</b> |        | Finish in Simon RAL classic chart colours   |
|               |            |          |            |                                  |                     |              |           | <b>CMxxxx</b> |        | Seafront Paint Finish   |

### BASE REFERENCES

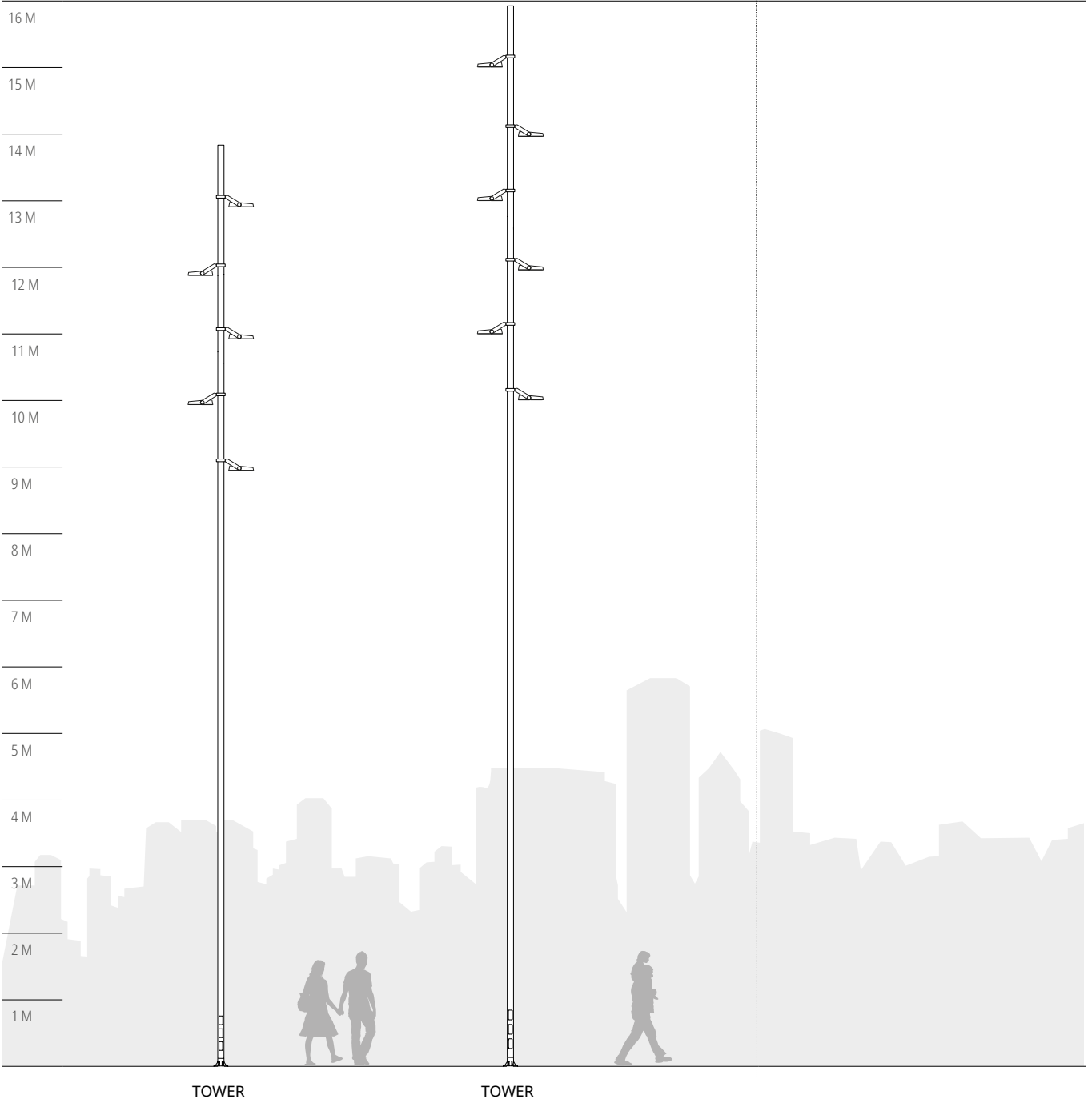
| Power | No. of LEDs | Current | Configuration                           | Order code           |
|-------|-------------|---------|---|----------------------|
| 73    | 80          | 530     | IRAMXFGTFPRJ_WDL_73W530IA23_1N_C1GY9007 | <b>417-001158016</b> |
| 97    | 80          | 700     | IRAMXFGTFPRJ_WDL_97W700IA23_1N_C1GY9007 | <b>417-001343016</b> |
| 150   | 80          | 1050    | IRAMXFGTFPRJ_WDL150W_1KIA23_1N_C1GY9007 | <b>417-006002016</b> |

The luminaire flow output can vary around ± 6% regarding those published according to environmental condition and/or the constant progress that LED technology undergoes.  
The luminaire power can vary around ± 7% regarding those published according to environmental condition and/or the constant progress that technology undergoes.



COMBINE YOUR IRAYA LUMINAIRE WITH:

FUNCTIONAL POLES:



TOWER

TOWER

OTHER DECORATIVE POLES: TORT, TIL

