

Conectores UTP y FTP / UTP and FTP Connectors  
Conectores UTP e FTP / Connecteurs UTP et FTP

**INFORMACIÓN TÉCNICA**

- Los conectores UTP y FTP cumplen con los requisitos incluidos en la serie de normas IEC 60603-7 "Connectors for electronic equipment". Para asegurar el cumplimiento de las normas: ISO 11801 "Information Technology", EN 50173 "Information Technology" y EIA/TIA 568 B.2 "Commercial Building Telecommunication Cabling Standard", se deben montar e instalar según las siguientes instrucciones. Es importante conectar todas las tomas de tierra a un mismo punto eléctrico. SIMON no es responsable si no se realiza bajo sus condiciones.

**TECHNICAL INFORMATION**

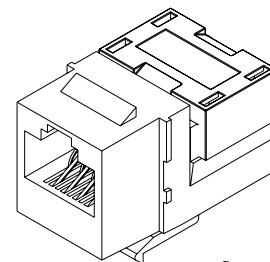
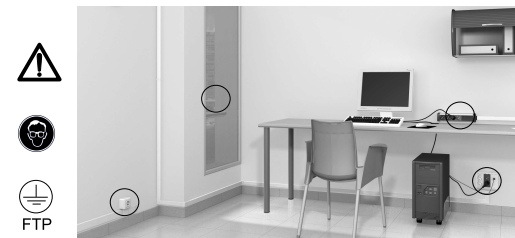
- Connectors UTP and FTP fulfill the requirements including in the series of norms IEC 60603-7 "Connectors for electronic equipment". In order to assure the fulfillment the norms: ISO 11801 "Information Technology", EN 50173 "Information Technology" and EIA/TIA 568 B.2 "Commercial Building Telecommunication Cabling Standard", it is necessary to install the products following these assembly instructions. It is important to connect all to a same electrical point. SIMON is not responsible in case of these conditions are not accomplished.

**INFORMATION TECHNIQUE**

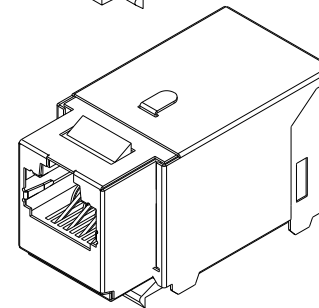
- Les connecteurs UTP et FTP remplissent les conditions incluses dans la série de normes IEC 60603-7 "Connectors for electronic equipment". Pour assurer l'accomplissement des normes: ISO 11801 "Information Technology", EN 50173 "Information Technology" et EIA/TIA 568 B.2 "Commercial Building Telecommunication Cabling Standard", est nécessaire d'installer les produits suivant ces instructions du montage. Est important relier toutes les prises à un même point électrique. SIMON n'est pas responsable si on ne suit pas ses conditions.

**INFORMAÇÃO TÉCNICA**

- Os conectores UTP e FTP cumprem com os requisitos incluídos na série de normas IEC 60603-7 "Connectors for electronic equipment". Para assegurar o cumprimento das normas: ISO 11801 "Information Technology", EN 50173 "Information Technology" e EIA/TIA 568 B.2 "Commercial Building Telecommunication Cabling Standard", instalar os produtos de acordo com as seguintes instruções. É importante conectar todas as tomadas a um mesmo ponto elétrico. SIMON não assume qualquer responsabilidade se as suas condições não forem observadas.



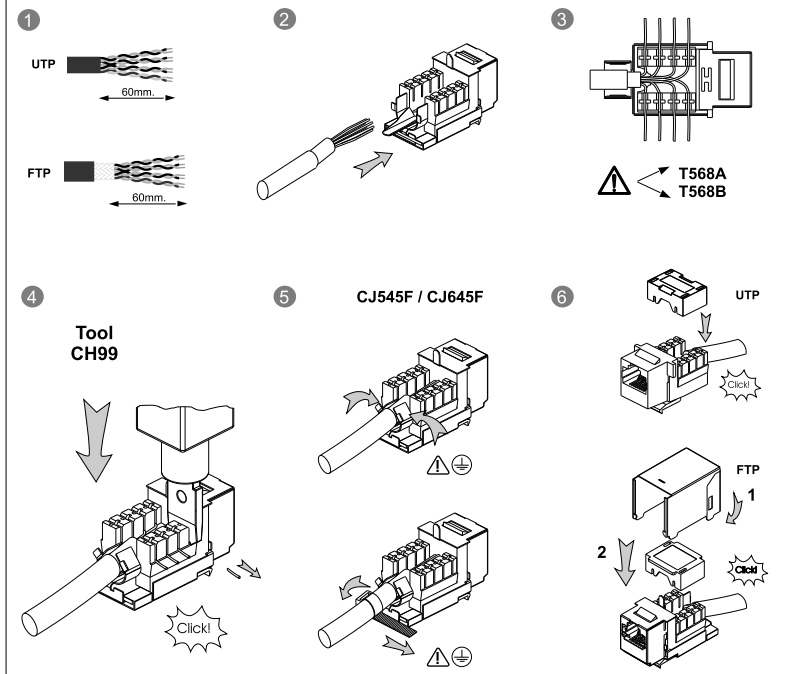
CJ545U  
CJ645U



CJ545F  
CJ645F

990130\_15 - 01 - 10

Montaje / Assembly / Assemblage / Montagem



Instalación / Installation  
Installation / Instalacion

